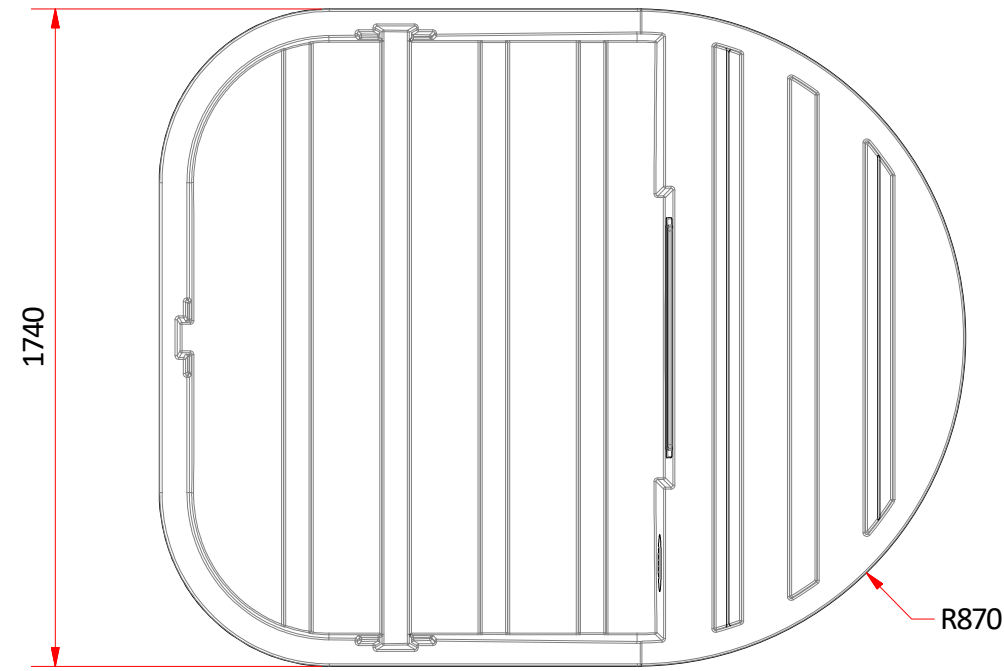
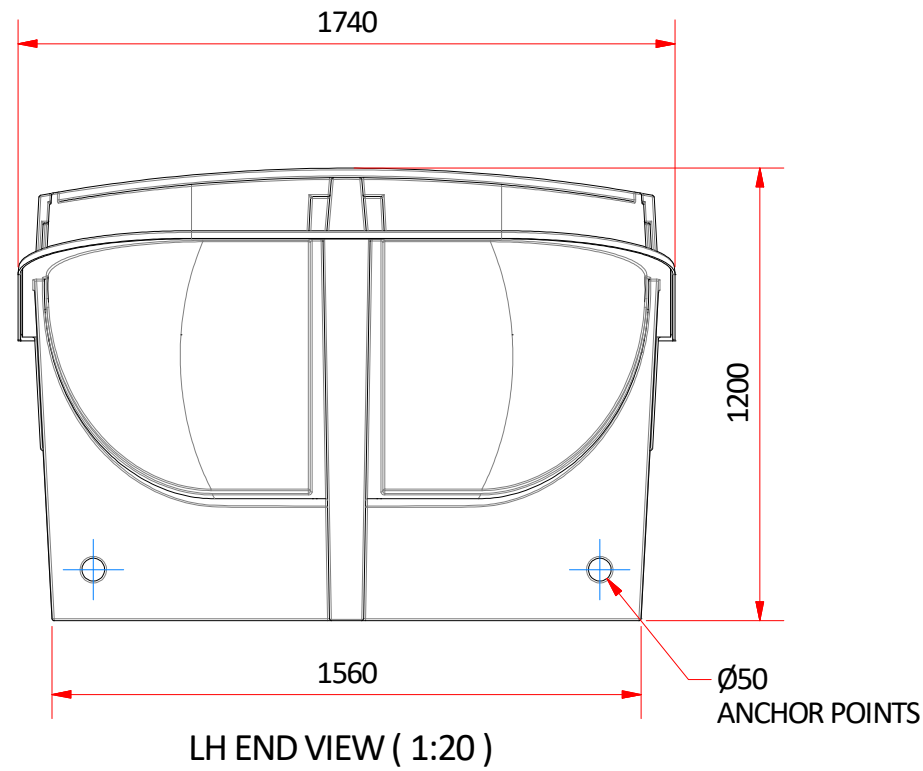


NOTES:
1. MANUFACTURING TOLERANCE $\pm 2\%$

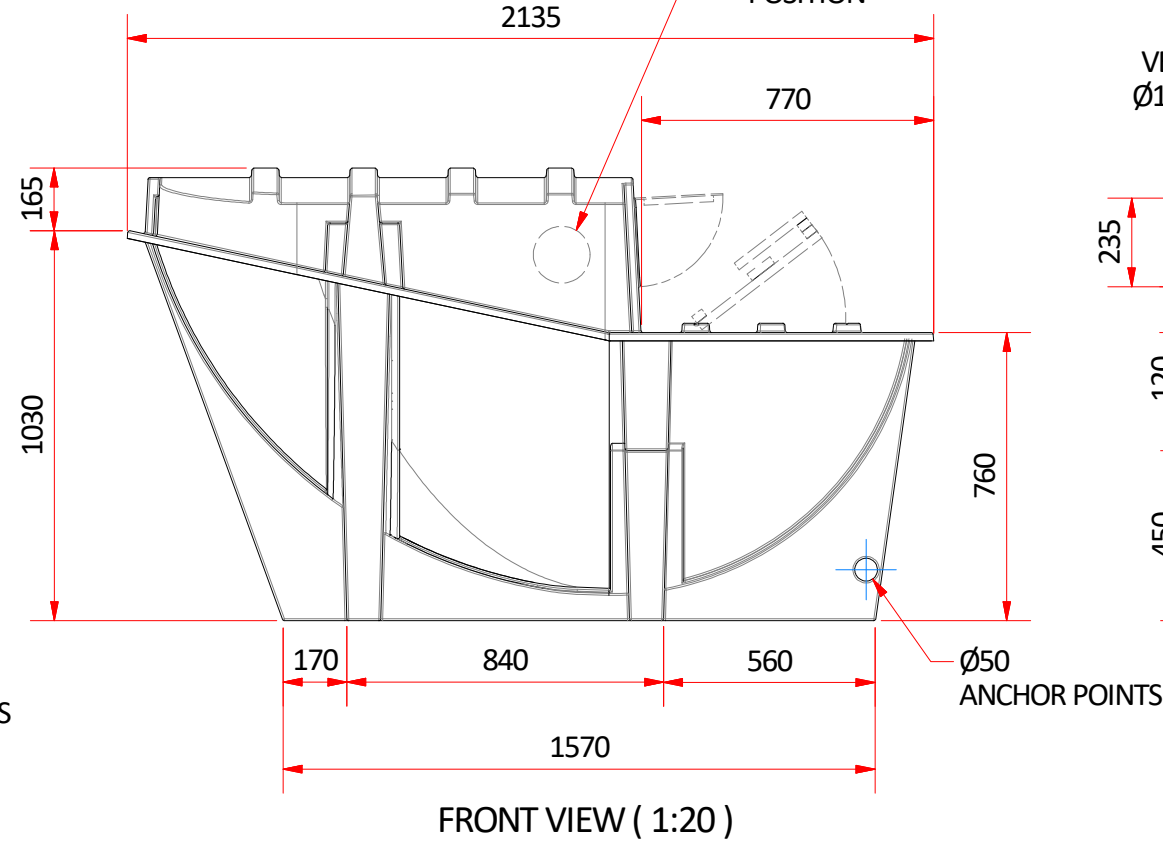
THIS DRAWING AND THE DESIGN IT DEPICTS ARE CONFIDENTIAL TO ECOFLO WASTE WATER MANAGEMENT PTY LTD. AND MUST NOT BE USED IN ANY FORM OR REPRODUCED WITHOUT THEIR OFFICIAL WRITTEN PERMISSION. THIS DRAWING AND ANY COPIES MUST BE RETURNED ON REQUEST. ALL RESONABLE STEPS MUST BE TAKEN TO ENSURE ITS CONFIDENTIALITY.



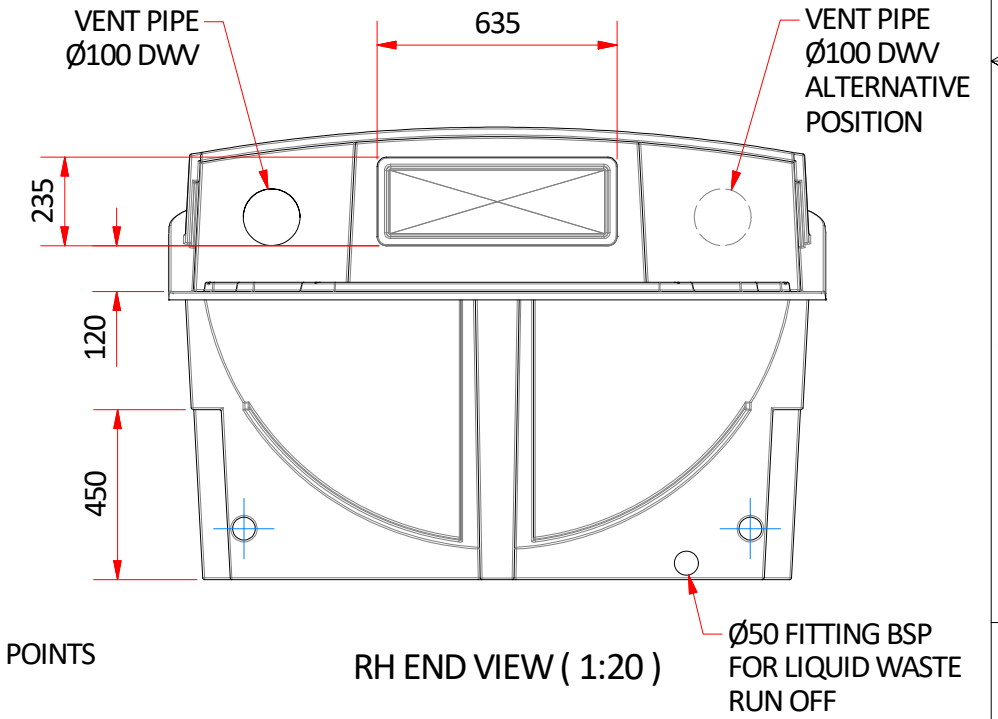
PLAN VIEW (1:20)



LH END VIEW (1:20)



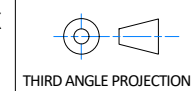
FRONT VIEW (1:20)



RH END VIEW (1:20)



Designed by	IMD	Date	23/10/2020	CLIENT:	ECOFLO WASTE WATER MANAGEMENT	A3
Checked by	PV	Date	22/11/2020	PROJECT:		
Approved by		Date		DWG TITLE:	CM14 GENERAL ASEMBLY	Sheet 1
IF IN DOUBT ASK DO NOT SCALE AS1100				JOB No:	DRG No: CM-014-G-01	Rev 1
ALL DIMENSIONS IN MM U.N.O.				CAD FILE: S:\projects\Neubau - Ecoflo\CM14 Tank_New\CM-014-G-01.idw		



THIRD ANGLE PROJECTION